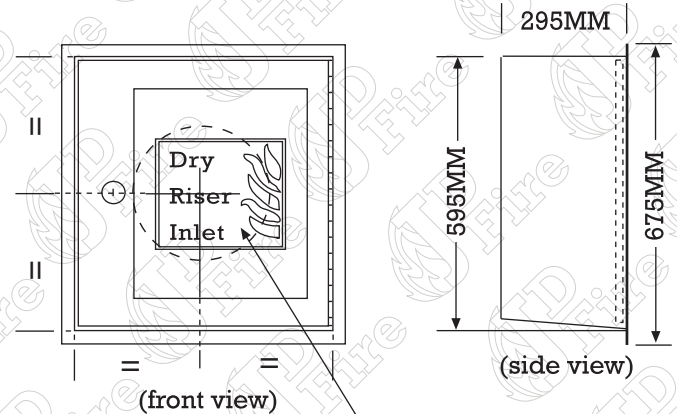
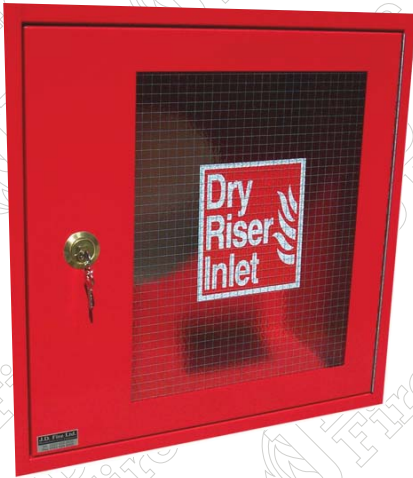


Elite: 1804

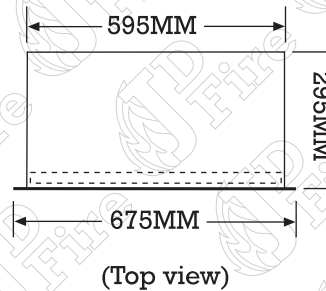
Recessed 4-Way Inlet Cabinet

Tel: 0161 652 2655
Fax: 0161 624 8303

Elite[®]
A Name You Can Trust!



310mm Diameter Hole
For Valve Entry



Cabinet Specifications:

- Cabinet & Door: 16swg Zintec Steel.
- Colour: As Standard Red Ral 3002.
- Glass: 6mm Georgian Wired, PRV Lettering.
- Lock: Yale Slam Lock Keyed Alike.
- Hinge: Stainless Steel Piano Hinge.
- Conforms: To BS 5041 Part 5.

Options:

- 1) Full cabinet polyester powder coated to your colour specifications, all we need is a Ral or BS number.
- 2) Cabinets can be manufactured to your individual specifications and dimensions.
- 3) Cabinets can be manufactured to take fire brigade budget locks recommended on solid door version.

(Minimum aperture 605mm wide 605mm high)

Ref:	Specifications:	Back Box Dimensions:			Approx. Weight Kgs
		High mm	Width mm	Depth mm	
Elite 1804	Red As Standard	595	595	295	25

JD Fire Reserve the right to modify or withdraw any product without notice.

www.jdfire.co.uk

