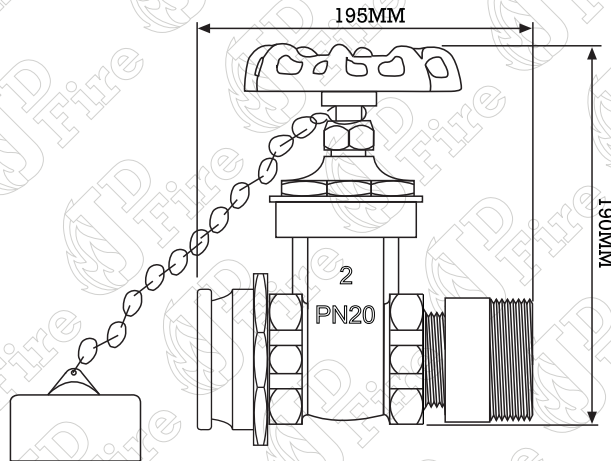


**Elite: Drain Line Valve**

**Elite**  
A Name You Can Trust!



Elite Drain



**General:**

“Elite” 65mm diameter drain line valve comes with a screwed or flanged connection. The valve is generally intended to be installed on the drain line for testing the Elite PRV3 & 4 pressure regulating valve.

It comes complete with an instantaneous male connection which allows you to connect your fire hose and throttle the ball valve to create an 8 bar running pressure as required in BS9990 2015.

The valve comes complete with rubber blank cap & chain.

Ref:	Specifications:	Approx. Weight Kgs
Elite Drain	Inlet 65mm Inst Outlet 2.5” BSPT	2.5

