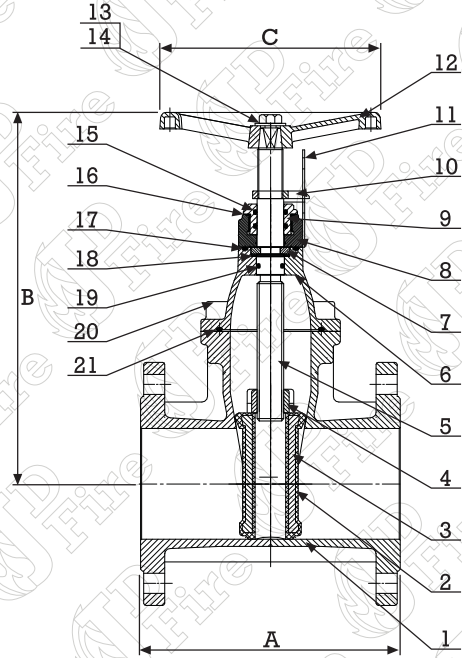


Fig: JD01

BS5163 Gate Valve c/w open & Shut Indicator

Tel: 0161 652 2655
Fax: 0161 624 8303

Elite
A Name You Can Trust!



General:

- BS5163 Type A, BS EN 1074.
- Open/Shut position indicator.
- Face to face dimension in accordance with BS5163.
- Flange drilling in accordance with BS EN 1092 PN16 raised face.
- Optional anti tamper switch.
- Optional 1/2" BSP Plugged Tapping.

Pressure & Rating:

- Max Working Pressure: 16bar
- Shell Test Pressure: 24bar

Part No	Part	Material	Qty
1	Body	QT450-10, Ductile Iron	1
2	Wedge Coat	EPDM, NBR	1
3	Wedge Core	QT450-10, Ductile Iron	1
4	Stem Nut	HMN58-2-2, Brass	1
5	Stem	2CR13, Stainless Steel	1
6	Bonnet	QT450-10, Ductile Iron	1
7	Clamp Ring	HMN58-2-2, Brass	1
8	Gland	QT450-10, Ductile Iron	1
9	Gland Nut	EPDM, NBR	1
10	Indicator Pointer	SS304, Stainless Steel	1
11	Indicator Plate	SS304, Stainless Steel	1
12	Handwheel	QT450-10, Ductile Iron	1
13	Washer	SS304, Stainless Steel	1
14	Hex Bolt	SS304, Stainless Steel	1
15	O-Ring	EPDM, NBR	1
16	O-Ring	EPDM, NBR	1
17	Gland Seal Ring	EPDM, NBR	1
18	PTFE Gasket	F-4	1
19	O-Ring	EPDM, NBR	1
20	Hex Bolt	A3, Steel	4
21	Gasket	EPDM, NBR	1

Size		Dimension (mm)			Weight
mm	inch	A	B	C	Kg
50	2"	173	220	180	16
65	2.5"	190	247	180	18
80	3"	203	295	200	21
100	4"	229	343	200	28
125	5"	254	395	240	36
150	6"	267	440	240	50
200	8"	292	545	320	75
250	10"	330	648	320	122
300	12"	356	730	400	140
350	14"	381	1250	460	—
400	16"	406	1310	460	—
450	18"	436	1570	600	—

JD Fire Reserve the right to modify or withdraw any product without notice.

www.jdfire.co.uk

