

Elite: PRV 5 High Pressure Reducing Valve.

Elite®
A Name You Can Trust!

Features:

When the valve is open, the inlet pressure flows into the upper part of the pressure chamber. By adjusting the spring below, a balance pressure of these two forces determines the degree of the valve opening to maintain a constant outlet pressure.

When the valve outlet pressure is regulated, it will remain set unless it is being tempered. The valve outlet pressure setting can only be regulated under a flowing condition. A small flow coming out of the valve outlet is sufficient to perform the task.

The valve counter-balance spring design allows the outlet pressure ranges from 5.7 to 9 bars.



General:

“Elite” 65mm diameter Gunmetal high-pressure “Bib-Nose” pattern regulating Landing valve is field adjustable which allows the user to set the valve outlet pressure as desired according to the conditions of the fire protection system in which the valves are installed.

The valve comes flanged inlet connections.

The design and construction of the Landing valve are strictly in accordance with BS5041 : Part 1: And the requirements of BS9990 :2015

It is suitable for connection of the high pressure water supply of up to 30 bars (435 PSI) and provide a reduced outlet pressure which can be set in-situ during testing and commissioning of the fire protection system.

This constant uniform set outlet pressure of the valve, irrespective of it’s location in which it is installed either in a high rise building or off-shore plants safeguards the fireman from inconsistent hose pressures in a fire situation.

The selection of the materials in the manufacture of the valve are all corrosion resistant, tough and durable. This ensures the product long-life plus providing an efficient service in the time of need.

The shut-off of the valve for good water-tight sealing is done by using a high quality rubber bonded seat disc which acts as a primary rubber to metal seal, whilst a secondary metal to metal shut-off is also incorporated in the design of the valve.

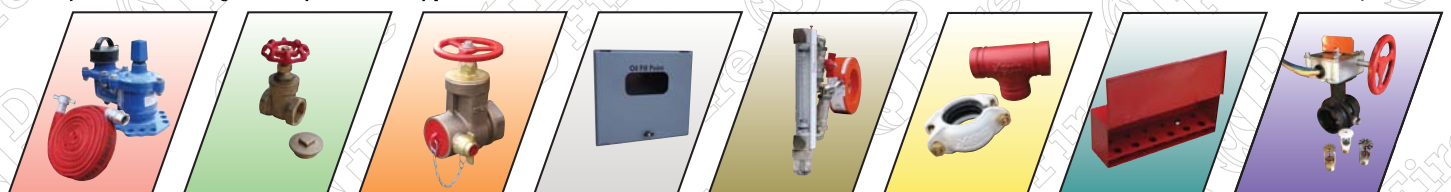
Every valve manufactured is hydrostatically tested to 22.5 bars and 30.0 bars for the valve seat and body respectively. The valve outlet static pressure is factory preset at 12 bars as required in BS9990 2015.

The internal casting finished of every valve is of high quality ensuring a low flow restriction that meets the standard’s water flow test requirement.

The valve comes complete with standard “Red” plastic plug and chain. Alternative plugs made of brass or gunmetal are also available upon request.

Ref:	Specifications:	Approx. Weight Kgs
PRV5	Inlet Flanged 2.5” BSPT Male	10

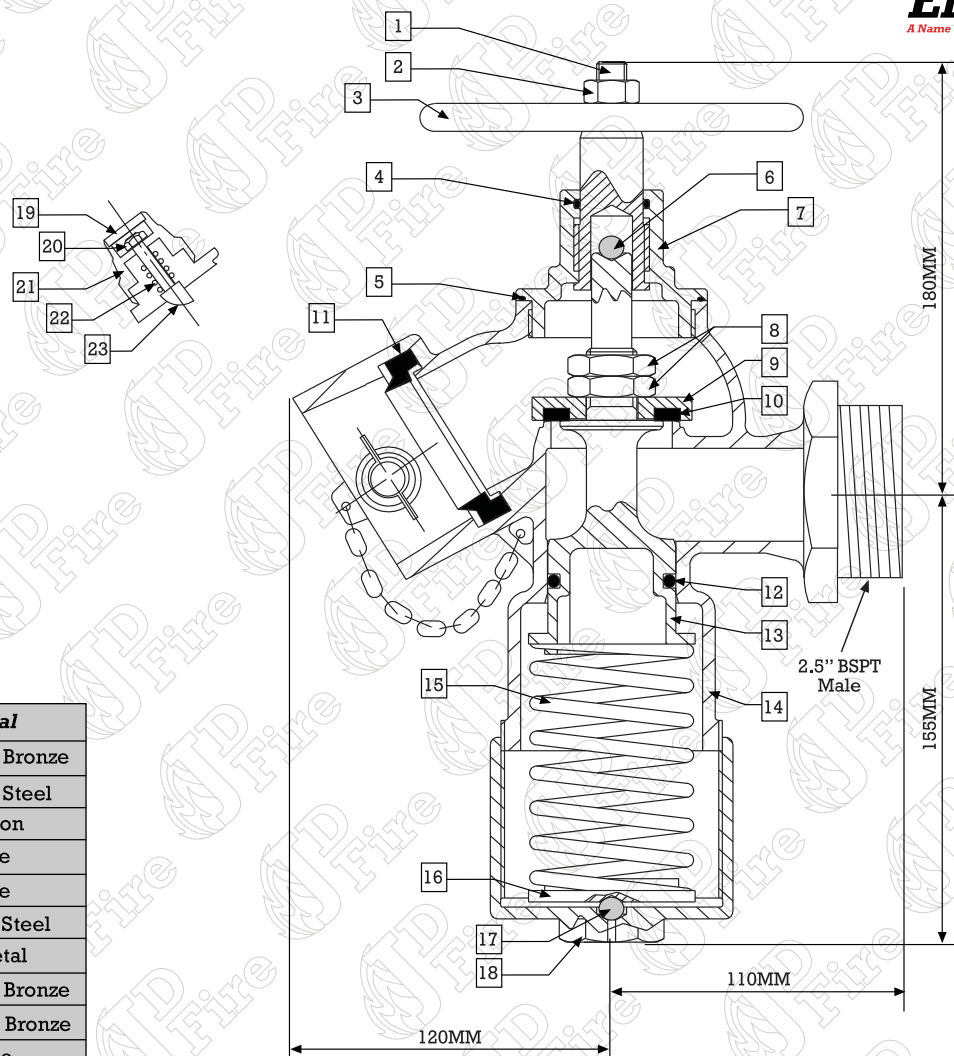
Please Note: Optional inlet Flanged to PN40 are available upon request. (And cabinets)



Elite: PRV 5 High Pressure Reducing Valve.

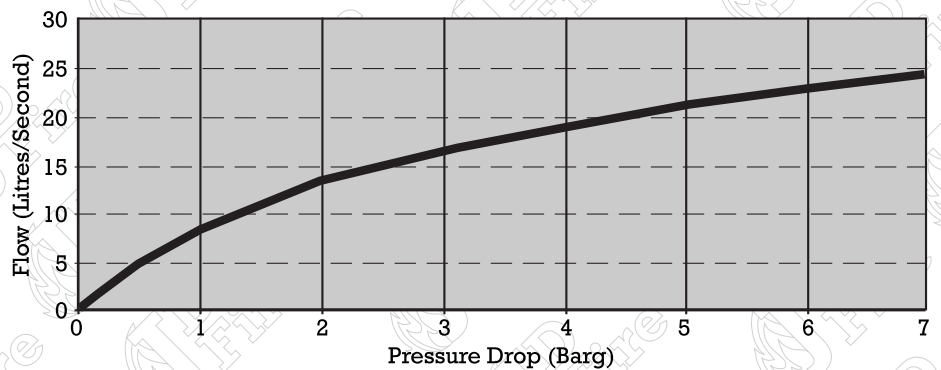
Tel: 0161 652 2655
Fax: 0161 624 8303

Elite[®]
A Name You Can Trust!



Item	Description	Material
1	Shutdown Spindle	Aluminium Bronze
2	Nyloc Nut	Stainless Steel
3	Hand wheel	Cast Iron
4	O Ring	Nitrile
5	O Ring	Nitrile
6	Ball	Stainless Steel
7	Top Cover	Gunmetal
8	Locknut	Aluminium Bronze
9	Disc Holder	Aluminium Bronze
10	Disc	Nitrile
11	Inst Seal	Nitrile
12	Seal	Nitrile
13	Spindle	Gunmetal
14	Body	Gunmetal
15	Spring	Carbon Steel
16	Spring Carrier	Aluminium Bronze
17	Ball	Stainless Steel
18	Adjusting Cap	Gunmetal
19	Cap	Plastic
20	Nyloc Nut	Stainless Steel
21	Winged Cap	Brass
22	Spring	Stainless Steel
23	Bolt	Brass

Flow Curve



JD Fire Reserve the right to modify or withdraw any product without notice.

www.jdfire.co.uk

